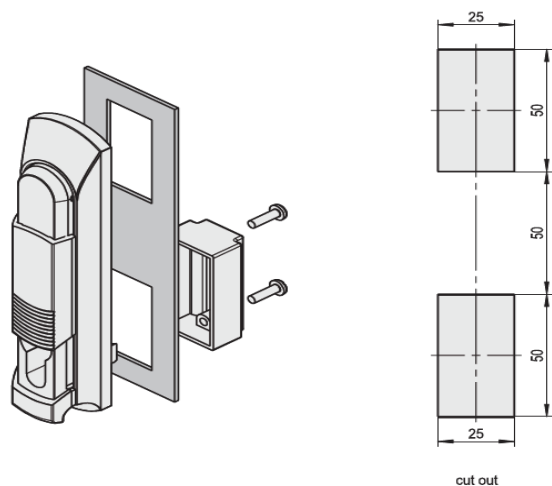
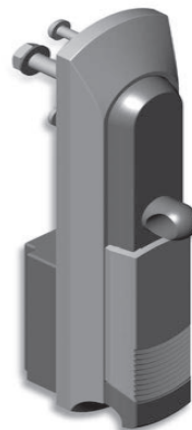
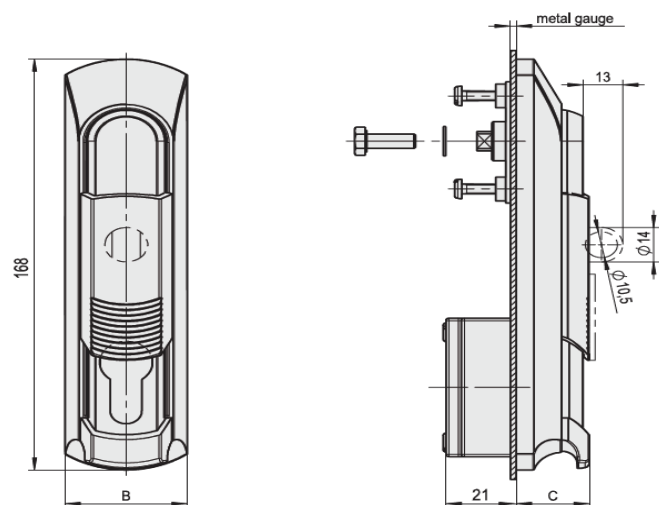


**SWING HANDLE**  
FOR PROFILE HALF CYLINDER



**Sem Pt No**

**CHhIS - followed by the number below**

Art. No.:	0.45.0310	0.45.0312	0.45.0314	0.45.0315 *	0.45.0330	0.45.0335 *
Cut out (mm)	25/50	25/50	25/50	25/50	25/50	25/50
Hole distance (mm)	50/50/50	50/50/50	50/50/50	50/50/50	50/50/50	50/50/50
Design	Eckig / Angularly	Eckig / Angularly	Eckig / Angularly	Eckig / Angularly	Eckig / Angularly	Eckig / Angularly
Measure B (mm)	34	34	34	34	40	40
Measure C (mm)	24	31	33	24	24	24
for profile half cylinder	40,5	45,5	47,5	40,5	40,5	40,5
Material	PA 6 GF 30%	PA 6 GF 30%	PA 6 GF 30%	PA 6 GF 30%	PA 6 GF 30%	PA 6 GF 30%

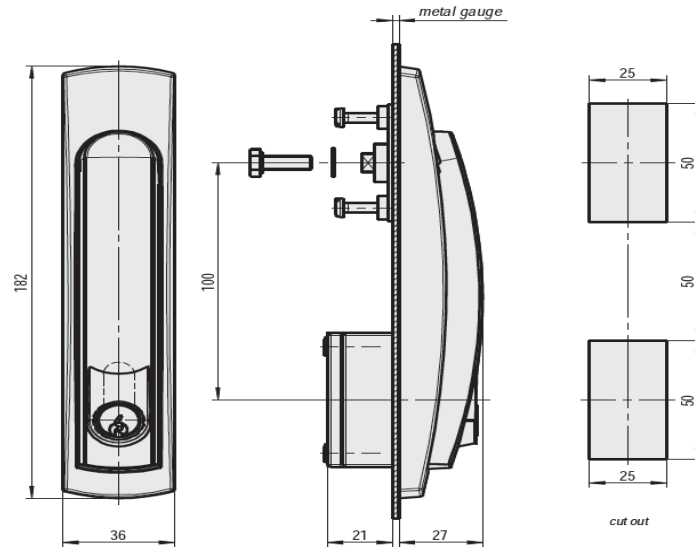
Standard version RAL 9005, optional RAL 7035

\* Padlock version

Depending on order quantity, we can create a mold for your company logo

**SEM BELGIUM bvba**

**SWING HANDLE**  
FOR PROFILE HALF CYLINDER



**Sem Pt No**

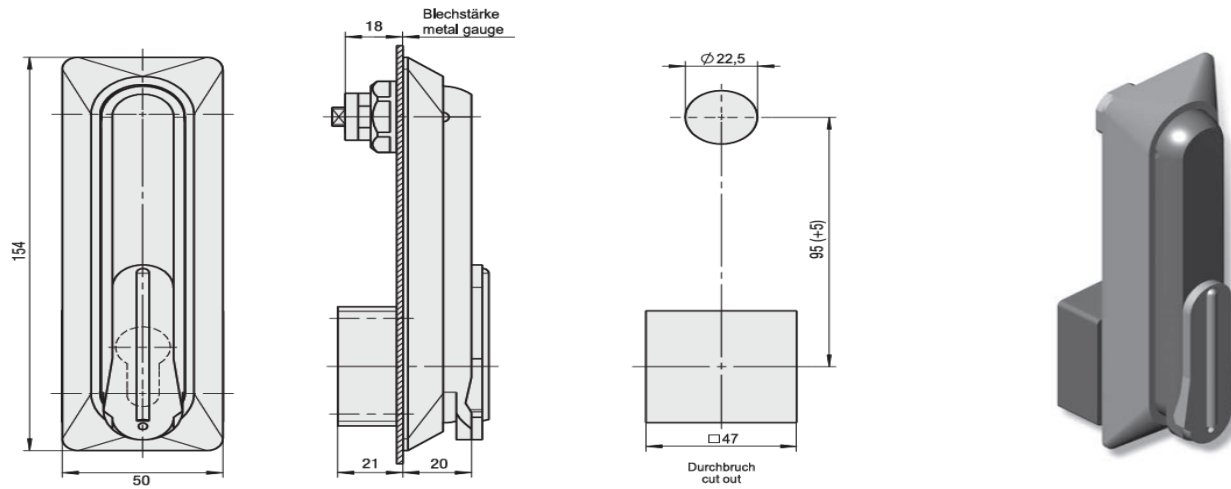
**CHhIS - followed by the number below**

Art. No.:	0.45.0401	0.45.0403 *
Cut out (mm)	25/50	25/50
Hole distance (mm)	50/50/50	50/50/50
Design	Eckig / Angularly	Eckig / Angularly
Material	PA 6 GF 30%	PA 6 GF 30%

Standard version RAL 9005, optional RAL 7035

\* depending on order quantity, we can create a mold for your company logo

**SWING HANDLE**  
FOR PROFILE HALF CYLINDER



**Sem Pt No**

**CHhIS - followed by the number below**

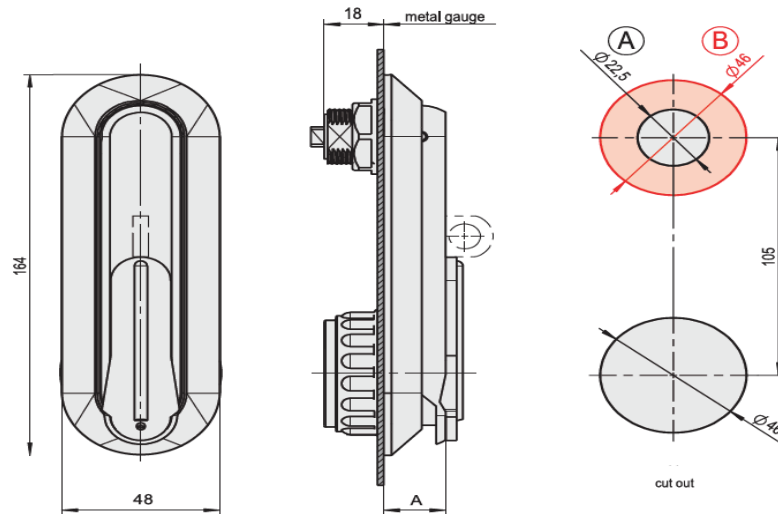
<b>Art. No.:</b>		<b>0.45.0170</b>
<i>Cut out</i>	(mm)	Ø 22,5/47
<i>Hole distance</i>	(mm)	95
<i>Design</i>		Eckig / Angularly
<i>Material</i>		PA 6 GF 30%

Standard version RAL 9005, optional RAL 7035

Depending on order quantity, we can create a mold for your company logo

Optional: Swinghandle also available in PA6 as well as handle version in die-cast zinc

**SWING HANDLE**  
FOR PROFILE HALF CYLINDER



**Sem Pt No**

**CHhIS - followed by the number below**

Art. No.:	0.45.0110	0.45.0111	0.45.0112	0.45.0113
Cut out (mm)	$\varnothing 22.5/46$	$\varnothing 22.5/46$	$\varnothing 22.5/46$	$\varnothing 22.5/46$
Hole distance (mm)	105	105	105	105
Design	Rund / Round	Rund / Round	Rund / Round	Rund / Round
Case	PA 6 GF 30%	PA 6 GF 30%	PA 6 GF 30%	PA 6 GF 30%
Handle	PA 6 GF 30%	PA 6 GF 30%	GD-Zn	PA 6 GF 30%
Measure	A	20	20	25

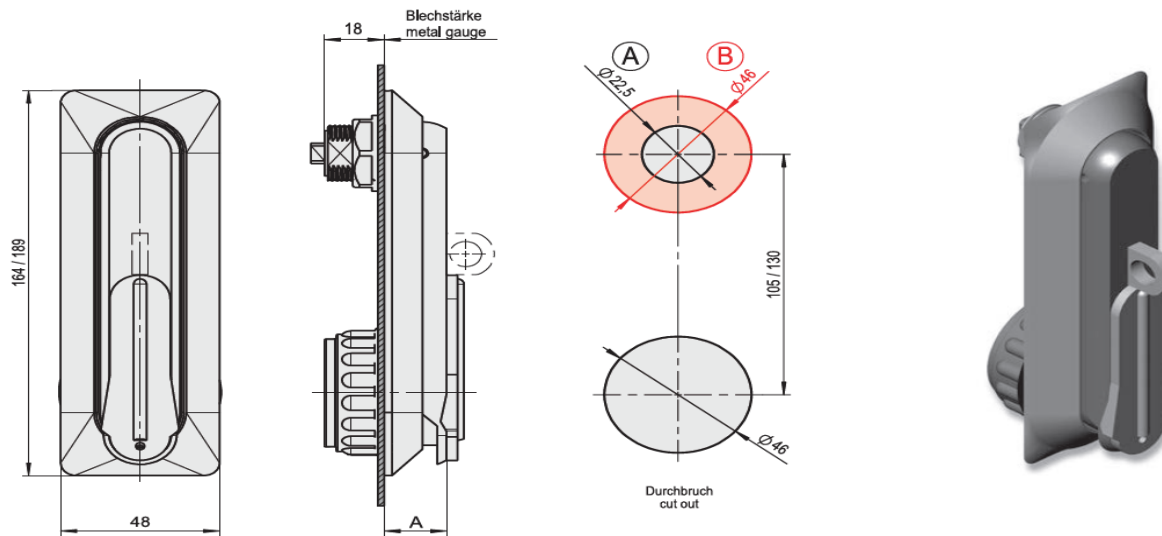
Standard version RAL 9005, optional RAL 7035

Swing handle polyamide black PA6/GF30% with seal IP65, shaft brass, fixing material steel galvanized white cB

**Please note:** Adapting (0.45.0609) required cut out version B

Depending on order quantity, we can create a mold for your company logo

**SWING HANDLE  
FOR PROFILE HALF CYLINDER**



**Sem Pt No**

**CHHIS - followed by the number below**

Art. No.:	0.45.0130	0.45.0131 *	0.45.0132	0.45.0133	0.45.0150	0.45.0151 *	0.45.0152
Cut out (mm)	Ø 22.5/46	Ø 22.5/46	Ø 22.5/46	Ø 22.5/46	Ø 22.5/46	Ø 22.5/46	Ø 22.5/46
Hole distance (mm)	105	105	105	105	130	130	130
Design	Eckig / Angularly	Eckig / Angularly	Eckig / Angularly	Eckig / Angularly	Eckig / Angularly	Eckig / Angularly	Eckig / Angularly
Case	PA 6 GF 30%	PA 6 GF 30%	PA 6 GF 30%	PA 6 GF 30%	PA 6 GF 30%	PA 6 GF 30%	PA 6 GF 30%
Handle	PA 6 GF 30%	PA 6 GF 30%	GD-Zn	PA 6 GF 30%	PA 6 GF 30%	PA 6 GF 30%	GD-Zn
Measure	A	20	20	25	20	20	20

Standard version RAL 9005, optional RAL 7035

Swing handle polyamide black PA6/GF30% with seal IP65, shaft brass, fixing material steel galvanized white cB

**Please note:** Adapting (0.45.0609) required cut out version B

Depending on order quantity, we can create a mold for your company logo

\* Padlock version