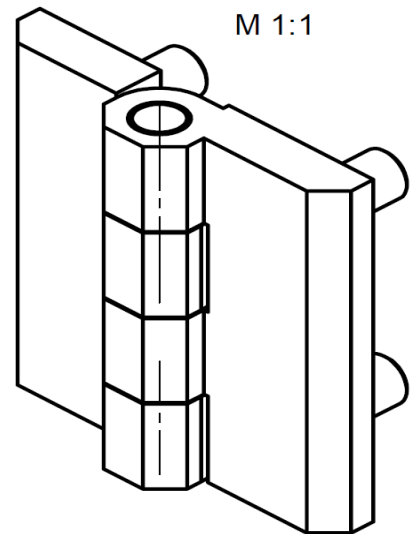
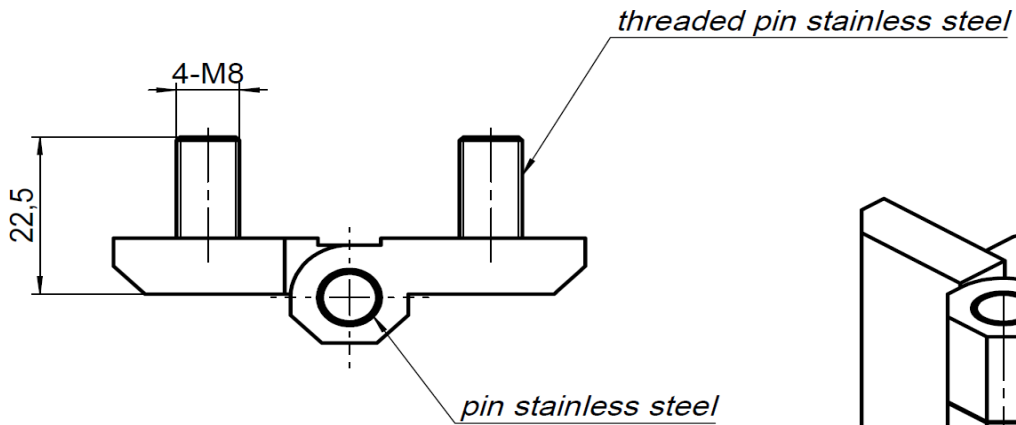
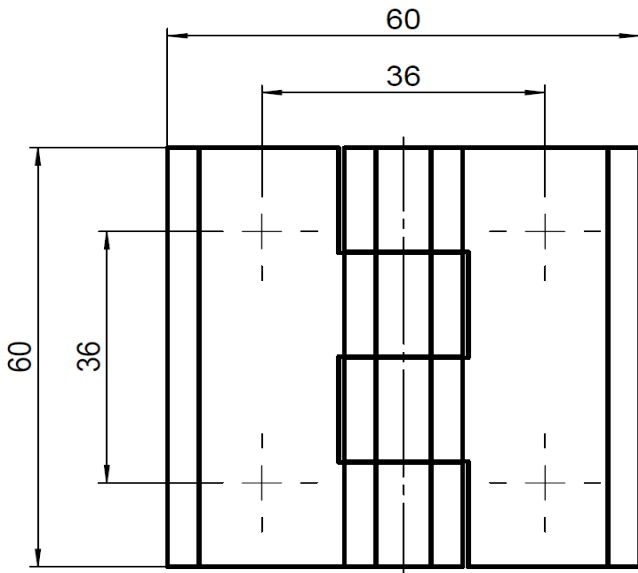


Sem Pt No – SHhIS00411- F 3



Technic Requirement

IT IS FLEXIBLE FOR THE HINGE TO MOVE AND BE FRE FROM BURRS
 AND NO VISIBLE BLOCK PHENOMENON